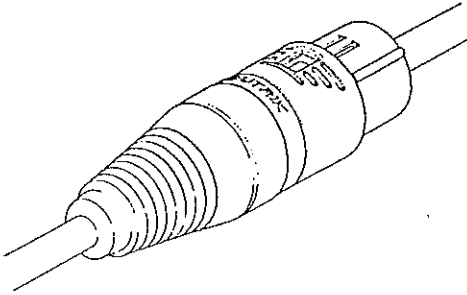


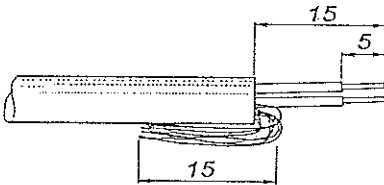
EaZyCon Series

XLR Cable Connector

Assembly Instructions

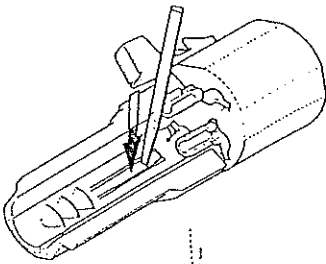


First slide housing onto the cable.

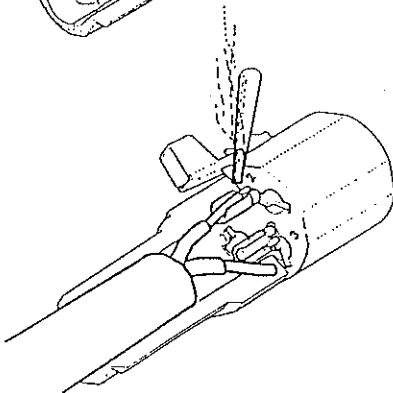


Cable preparation:

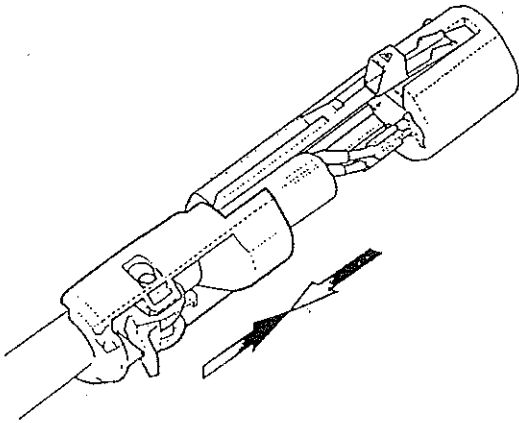
- Strip cable jacket and wires according to figure.
- Twist the shielding strands and bend the shield back over the jacket.



Optional connection between ground contact and housing for best EMC performance:
Depress contact stud as shown until it protrudes on the other side.

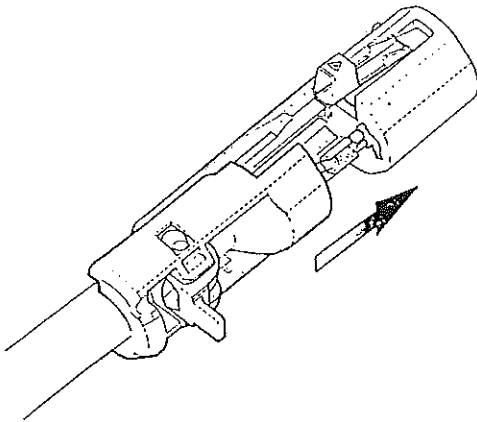


Make the soldering joints by simply heating the terminals with the wire ends applied thereto by means of a soldering bit (no additional solder necessary - already attached on solder cups).

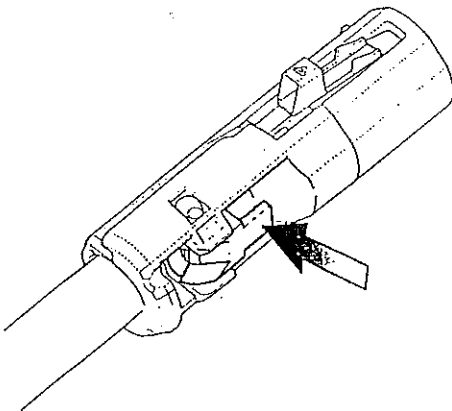


*Position cable in the insert so that the shield is clamped between the ground contact (No. 1) and the jacket.
Hold cable and insert in this position and put the cable retention onto the insert to mate the dovetailed guides.*

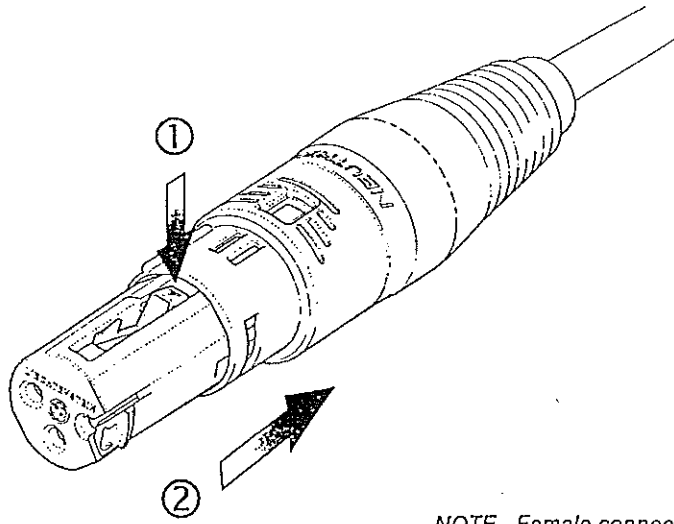
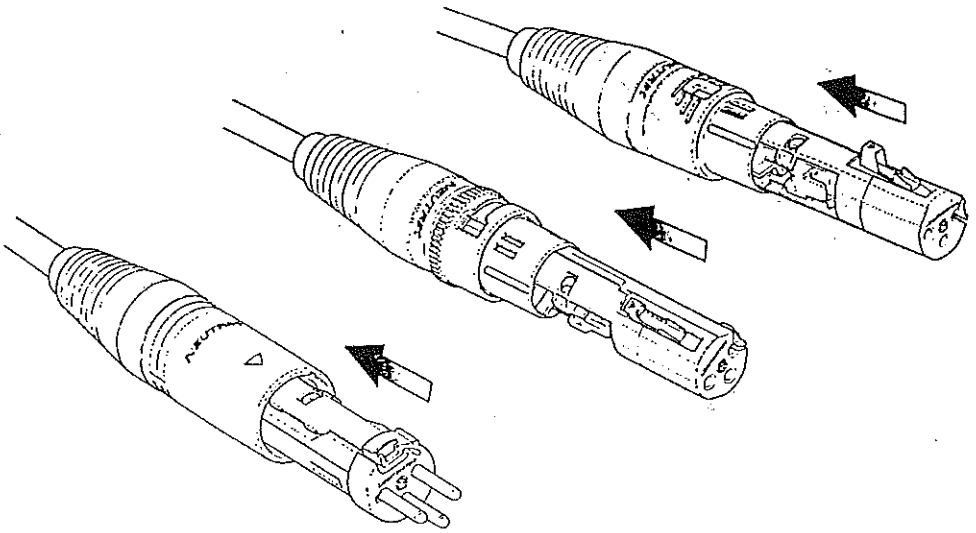
Important: Hold the clamping device (cam) in the position as shown.



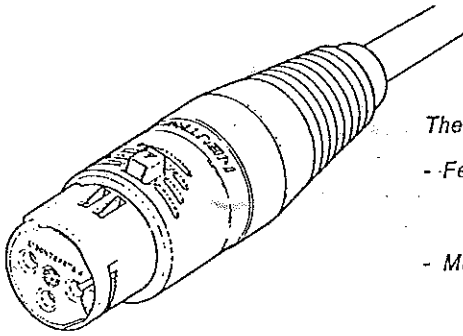
Slide the cable retention and the insert together while maintaining the position of the cam.



Finally press down the lever of the cam - do not stretch the conductors if the cable is moved - and push the complete insert into the housing as shown (pay attention to the correct radial position).

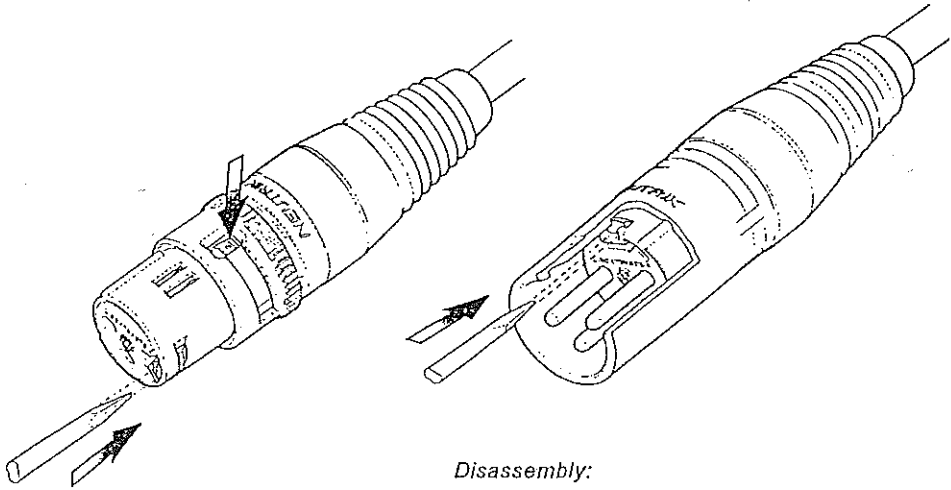


NOTE - Female connectors:
Press down the latching spring ① before
entering the housing ②.



The assembly is finished when:

- Female: the insert has snapped into the housing (mating face) and the latch has returned to its original position.
- Male: the insert has snapped into the housing two times (first time at the locking groove).




Disassembly:

- ① Press the latch completely down
- ② Position a small screwdriver in the small gap (similar at male) and turn
- ③ Snap opens, push the insert with the cable out of the housing.

(Attention: Male insert snaps again at the locking groove.

Reinsert screwdriver and repeat step ② + ③ .)

NEED AND SERVICE BY:



**Waverseswag 1600 ch. de Wavre
Oudergem 1160 Auderghem**

Tel. 02/672 95 90 • Fax 02/672 84 97

NEUTRIK AG
Liechtenstein
Tel: 075/237 24 24
Fax: 075/232 53 93

NEUTRIK USA INC.
USA
Tel: 908/901 9488
Fax: 908/901 9504

NEUTRIK (UK) Ltd.
Great Britain
Tel: 019 83/811 441
Fax: 019 83/811 439

NEUTRIK Zürich AG
Switzerland
Tel: 01/734 0400
Fax: 01/734 2891

NEUTRIK Ltd. Tokyo
Japan
Tel: 081/2/3683/4733
Fax: 081/2/3683/4796

NEUTRIK HKG
Hong Kong
Tel: 0852/2888/2366
Fax: 0852/2888/7603



NEUTRIK

CONNECTING THE WORLD